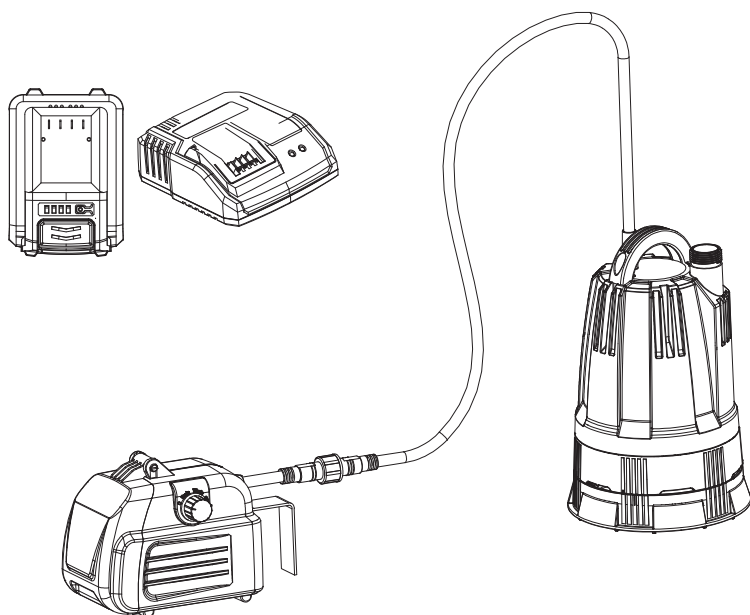




EN

TITAN

18V Li-Ion Water Butt Pump



Original Instructions_MNL_TTI853PMP_GB_V2_210909

TTI853PMP

EAN: 5059340250328

CAUTION: Read the instructions before using the machine.



BX220IM



Guarantee

Congratulations on your purchase of a **TITAN** power tool from Titan Power Tools (UK) Ltd. We want you to continue getting the best performance from it so this handbook includes information on safety, handling and care. Please retain this handbook in case you need to refer to any of the information in the future.

Your **TITAN** power tool comes with a 2 year guarantee, so should it develop a fault within this period contact your retailer.

GUARANTEE

This **TITAN** product carries a 2 years guarantee. If your product develops a fault within this period, you should, in the first instance contact the retailer where the item was purchased. This guarantee specifically excludes losses caused due to:

- Fair wear and tear
- Misuse or abuse
- Lack of routine maintenance
- Failure of consumable items (such as batteries)
- Accidental damage
- Cosmetic damage
- Failure to follow manufacturer's guidelines
- Loss of use of the goods

This guarantee does not affect your statutory rights. This guarantee is only valid in the UK.

For any enquiries relating to the guarantee please refer to your retailer.



Let's get started...

These instructions are for your safety. Please read through them thoroughly before use and retain them for future reference.



Getting **started...** 02

Safety information	04
Your product	11
Before you start	16



In more **detail...** 24

Product functions	25
Operation	26
Care and maintenance	28
Troubleshooting	32
Recycling and disposal	33
EC declaration of conformity	34

Safety information

General safety warnings

1. This product can be used by children aged from 8 years and above and persons with reduced physical, sensory or mental capabilities or lack of experience and knowledge if they have been given supervision or instruction concerning use of the appliance in a safe way and understand the hazards involved.
2. Children shall not play with the product.
3. Cleaning and user maintenance shall not be made by children unless they are older than 8 and supervision.
4. Keep the appliance and its cord out of reach of children less than 8 years.
5. **Attention!** If the power cord or cable connector is damaged, it must be replaced by the manufacturer, its service agent or similarly qualified persons in order to avoid a safety hazard.
6. Familiarise yourself with the operation, adjustments and functions. Follow the safety and operation instructions in order to avoid possible risks and hazards.
7. Contact a qualified person or your dealer if you have questions after reading the instruction manual.
8. Store the instruction manual so that it is accessible for all users. Also relay it when giving the product to others.
9. Do not attempt to modify the product in any way. Only use attachments and accessories recommended by the manufacturer.
10. Use the product only in accordance with this instruction manual. Misuse and incorrect handling will lead to hazards for people and property.

11. Do not use the product if damage is visible. Check the power cord, cable connector, battery compartment, attached hoses and casing before each use. Faulty products must be repaired or properly disposed of.
12. Switch the product off and remove the battery pack immediately if the cord or the product is damaged or if a breakdown occurs.
13. Have the product repaired only by a qualified specialist. Improper repairs can lead to electric shocks or other accidents.
14. Do not let the power cord hang over edges, do not squeeze or bend it.

Pump safety warnings

1. The appliance shall be installed in accordance with national wiring regulations.
2. The pump must only be supplied at safety extra low voltage corresponding to the marking on the appliance.
3. Don't immerse the battery pack or its compartment into water. Prevent any water from entering the battery pack or its compartment to avoid damage.
4. Prevent access of children with appropriate measures.
5. Do not use the pump when people are in the water.
6. Do not operate the pump without water.
7. Make sure that no marine animals (e.g. fish) are extracted by the pump.
8. Have in mind that pollution of the liquid could occur due to leakage of lubricants.
9. Protect the electrical connections and cords from heat, oil, sharp edges and moisture.
10. Protect the pump from frost and running dry.
11. Avoid circulation of aggressive fluids of abrasive materials.

Safety information

12. Do not use the power cord to transport or secure the product. Fix a rope to the handle for submerging, lifting or securing.
13. Check and clean the outlet and the inlet of the pump when needed.
14. Do not pump liquids with sand or other abrasive substances. It causes increased wear and reduces the pumps output.
15. The product is designed for clear water with a diameter of suspended impurities not exceeded 1 mm.
16. The pump should be used for pumping water temperature below 35°C, do not use the product for other liquids (hydrocarbons, oils, corrosive liquids, flammable liquids...).
17. Never use the pump when there is the danger of frost occurring.
18. Disconnect the pump from the supply mains before carrying out user maintenance such as cleaning the filter.
19. The product is not designed for continuous use. Please rest it for 10 minutes after each 1 hour of running in continuous mode.
20. The pump has the timer setting of "5min" or "15min", means that the pump will be activated automatically every 24h, and the cycles will be repeated until the empty of battery pack.

Charger safety warnings

1. This appliance can be used by children aged from 8 years and above and persons with reduced physical, sensory or mental capabilities or lack of experience and knowledge if they have been given supervision or instruction concerning use of the appliance in a safe way and understand the hazards involved. Children shall not play with the appliance. Cleaning and user maintenance shall not be made by children without supervision.
2. Only charge the battery pack specifically used for this tool.
3. Do not charge non-rechargeable batteries.
4. If the supply cord is damaged, it must be replaced by the manufacturer, its service agent or similarly qualified persons in order to avoid a hazard.
5. Disconnect the charger from the power supply and allow it to cool down before cleaning, maintenance, storage and transportation.
6. Protect the electrical parts against moisture. Do not immerse such parts in water or other liquids to avoid electrical shock. Never hold the charger under running water. Read the instructions provided in the chapter "Care and maintenance".
7. Before using the charger, read all the instructions and cautionary markings on the charger and battery pack.
8. Charge the battery pack indoors only as the charger is designed for indoor use only.
9. Do not place any object on top of the charger as it could cause overheating. Do not place the charger near any heat source.

Safety information

10. Do not use the charger if it has been subjected to a heavy knock, dropped or otherwise damaged in any way. Have the charger checked and repaired by an authorised service centre.
11. Do not disassemble the charger. Incorrect re-assembly may result in the risk of fire, electric shock or electrocution.
12. To reduce the risk of damage to the power cord and plug, always pull the plug rather than the power cord when disconnecting the charger from power supply.

Battery pack safety warnings

1. **Recharge the battery pack only with the charger specified by the manufacturer.** *A charger that is suitable for one type of battery pack may create a risk of fire when used with another battery pack.*
2. **Use the pump only with specifically designated battery pack.** *Use of any other battery packs may create a risk of injury and fire.*
3. **When battery pack is not in use, keep it away from other metal objects, like paper clips, coins, keys, nails, screws or other small metal objects that can make a connection from one terminal to another.** *Shorting the battery terminals together may cause burns or a fire.*
4. **Under abusive conditions, liquid may be ejected from the battery pack; avoid contact. If contact accidentally occurs, flush with water. If liquid contacts eyes, additionally see medical help.** *Liquid ejected from the battery may cause irritation or burns.*
5. **Do not use battery pack that is damaged or modified.** *Damaged or modified batteries may exhibit unpredictable behaviour resulting in fire, explosion or risk of injury.*

6. **Do not expose a battery pack or tool to fire or excessive temperature.** *Continuous intense sunlight, fire or other heat sources may cause an increased danger of explosion.*
7. **Batteries can explode in the presence of a source of ignition, such as a pilot light.** *To reduce the risk of serious personal injury, never use any cordless product in the presence of an open flame. An exploded battery can propel debris and chemicals. If exposed, flush with water immediately.*
8. **Follow all charging instructions and do not charge the battery pack outside the temperature range specified in the instructions.** *Charging improperly or at temperatures outside the specified range may damage the battery and increase the risk of fire.*
9. **Do not charge battery in a damp or wet location.** *Following this rule will reduce the risk of electric shock.*
10. **Longer life and better performance can be obtained if the battery is charged when the air temperature is between 18°C and 24°C.** *Do not charge the battery in air temperature below 4°C or above 40°C. This is important as it can prevent serious damage to the battery.*
11. **Do not disassemble the battery and avoid mechanical damage to the battery. Risk of short circuit and fumes may be emitted.** *Ensure fresh air and seek medical assistance in the event of discomfort.*
12. **If the appliance is to be stored unused for a long period, the batteries should be removed.**

Getting started...

Safety information

Emergency

Familiarise yourself with the use of this product by means of this instruction manual. Memorise the safety directions and follow them to the letter. This will help to prevent risks and hazards.

1. **Always be alert when using this product, so that you can recognise and handle risks early.** *Fast intervention can prevent serious injury and damage to property.*
2. **Disconnect from the power supply if there are malfunctions.** *Have the product checked by a qualified professional and repaired, if necessary, before you operate it again.*

Residual risks

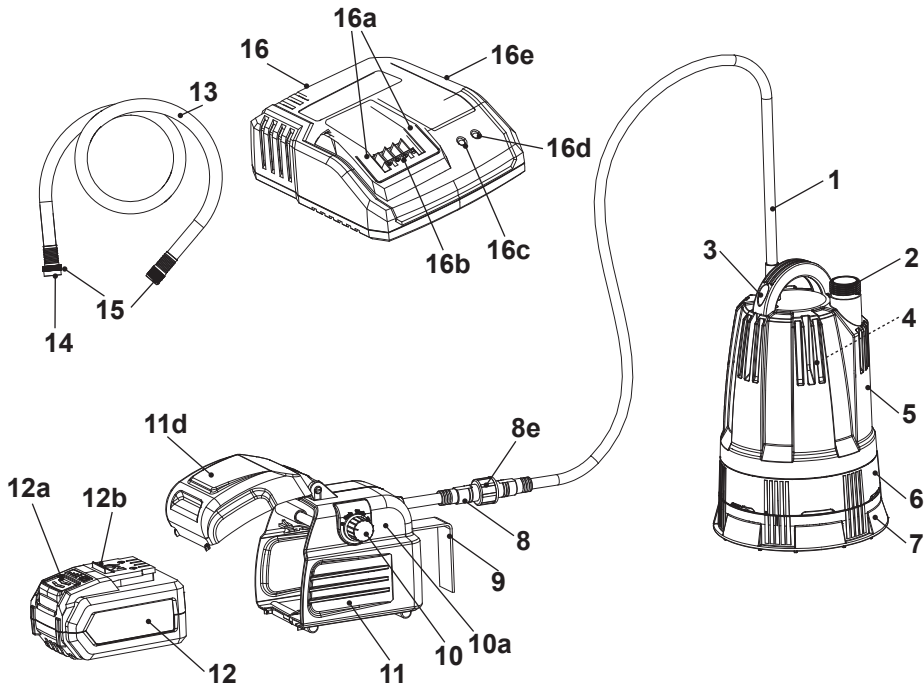
Even if you are operating this product in accordance with all the safety requirements, potential risks of injury and damage remain. The following dangers can arise in connection with the structure and design of this product:

1. Health defects resulting from vibration emission if the product is being used over long periods of time or not adequately managed and properly maintained.
2. Injuries and damage to property due to broken attachments or the sudden impact of hidden objects during use.
3. Danger of injury and property damage caused by flying objects.
4. Risk of bursting.



WARNING! This product produces an electromagnetic field during operation! This field may under some circumstances interfere with active or passive medical implants! To reduce the risk of serious or fatal injury, we recommend persons with medical implants to consult their doctor and the medical implant manufacturer before operating this product!

Your product



Getting started...

Your product

1. Power cord
2. Outlet nozzle
3. Carry handle
4. Ventilation bore
5. Top housing
6. Pump housing
 - a. Filter plate*
 - b. Inner slot (x3)*
 - c. Outer slot (x3)*
7. Base
8. Cable connector
 - a. Socket*
 - b. Slot*
 - c. Plug*
 - d. Spigot*
 - e. Locking sleeve
 - f. Seal ring*
9. Hook
 - a. Eyelet (x2)*
10. On/Off switch
 - a. Power indicator
- b. Indicator line*
11. Battery compartment
 - a. Spigot (x2)*
 - b. Release spring*
 - c. Stopper*
 - d. Transparent cover
12. Battery pack
 - a. Release button
 - b. Locking latch
 - c. Battery capacity button*
 - d. Battery capacity indicators*
13. Water hose
14. Nozzle adaptor
15. Quick release connector (x2)
16. Charger
 - a. Sliding slot (x2)
 - b. Electrical contacts
 - c. Charging failure indicator
 - d. Charging status indicator
 - e. Air vents












NOTE: Parts marked with * are not shown in this overview. Please refer to the respective part in the instruction manual.

Technical specifications

Submersible pump


- > **Rated voltage** : 18 V
- > **Rated input** : 100 W
- > **Delivery rate (Q_{\max})** : 1.9 m³/h
- > **Total head (H_{\max})** : max. 12 m
- > **Operating depth $\frac{\Sigma}{\dots m}$** : max. 2 m
- > **Water temperature** : max. 35 °C
- > **Max. particle size** : Ø 1 mm
- > **Protection class** : III
- > **Degree of protection** : IPX8 (for Pump),
IPX4 (for Battery compartment)
- > **Net weight (assembled)** : approx. 1,9 kg
- > **Dimensions** : approx. 155*155*260 mm

> Length of power cord	: 3 m
> Length of water hose	: 3 m
Battery pack	
> Model no.	: TTI802BAT 
> Type	: Li-Ion, 
> Capacity	: 4000 mAh
> Voltage	: 18 V 
> Weight	: approx. 693 g
Charger for battery pack	
> Model no.	: TTB805CHR
> Rated input voltage	: 220-  V~, 50 Hz
> Rated input power	: 100 W
> Rated output voltage	: 21.4 V 
> Rated output current	: 4 A
> Protection class	: II 
> Charging time	: approx. 1 h
> Weight	: approx. 600 g
Usable battery pack (sold separately)	
> Model no.	: TTI801BAT TTI803BAT
> Capacity	: 200  Ah 500  Ah
Usable charger (sold separately)	
> Model no.	: TTB804CHR
> Rated output	: 21.4V  , 1.0 A
> Ambient temperature range for charger and battery use	: 0 °C to 45 °C


















Symbols

On the product, the rating label and within these instructions you will find among others the following symbols and abbreviations. Familiarise yourself with them to reduce hazards like personal injuries and damage to property.

V~	Volt, (alternating voltage)	Hz	Hertz
V 	Volt, (dc voltage)	W	Watt
A	Ampere	mA	Milliampere
/min or min ⁻¹	Per minute	kg	Kilogram
g	Gram	mAh	Milliampere per hour
ml	Millilitre	l	Litre
mm	Millimetre	m	Metre

Symbols

m^3/h	cubic metres per hour	$^{\circ}C$	Degree Celsius
	Lock / to tighten or secure.		Unlock / to loosen.
	Read the instruction manual.		Note / Remark.
			Caution / Warning.
xxWyy	Manufacturing date code; year of manufacturing (20xx) and week of manufacturing (Wyy)		
IPX8	The protection degree indicates that the pump is protected against the effects of continuous immersion in water.		
IPX4	The protection degree indicates that the battery compartment is protected against splashing water.		
	Switch the product off and remove battery pack before assembly, cleaning, adjustments, maintenance, storage and transportation.		
	Do not expose the product to rain or wet conditions (moisture).		
	Max. particle size		
	Max. delivery rate		
	Total head		
	Max. operating depth		
	WEEE symbol. Waste electrical products should not be disposed of with household waste. Please recycle where facilities exist. Check with your Local Authority or local store for recycling advice.		
	Crossed out dust bin. Batteries and battery packs should not be disposed of with household waste. Please recycle where facilities exist. Check with your Local Authority or local store for recycling advice.		
	Only charge the battery indoors.		



Do not dispose of battery packs in rivers or immerse in water.



Do not dispose of battery packs in fire. They will explode and cause injury.



Do not expose battery packs to heat in excess of 45 °C. Do not charge or store the battery pack in temperatures below 0 °C (32 °F) and above 45 °C (113°F).



Protection class II (Double insulation), only for charger



Only charge the battery indoors.



Approx. 1h charging time



The product complies with the applicable European directives and an evaluation method of conformity for these directives was done.



UK Conformity Assessed.

Rating label explanation

TTI853PMP = Model number

TT = TITAN

I = 18 V

853 = Random number generated

PMP = Pump

Getting started...

Unpacking

1. Unpack all parts and lay them on a flat, stable surface.
2. Remove all packing materials and shipping devices if applicable.
3. Make sure the delivery contents are complete and free of any damage. If you find that parts are missing or show damage do not use the product but contact your dealer. Using an incomplete or damaged product represents a hazard to people and property.
4. Ensure that you have all the accessories and tools needed for assembly and operation. This also includes suitable personal protective equipment.



WARNING! The product and the packaging are not children's toys! Children must not play with plastic bags, sheets and small parts! There is a danger of choking and suffocation!



Do not insert the battery pack before the pump is completely assembled!

You will need

(items not supplied)

Rope
Suitable gate valve
Fixing devices for installation e.g. hose clips

(items supplied)

Water hose (13)
Nozzle adaptor (14)
Quick release connector (x2) (15)
Battery pack (12)
Charger (16)



NOTE: The accessories required depend on the intended application. Ask your dealer for advice.

Setup



WARNING! The product must be fully assembled before operation! Do not use a product that is only partly assembled or assembled with damaged parts!



Follow the assembly instructions step-by-step and use the pictures provided as a visual guide to easily assemble the product!
Do not insert the battery pack (12) to the battery compartment (11) before the appliance is completely assembled!

Accessories

1. Only use accessories that fulfil the requirements of this product. Pay special attention to the diameter of hoses / pipes, adaptors and connectors.
2. We recommend the use of quick-release fasteners on the appropriate place to quickly separate the product for cleaning and/or maintenance work (or for storage) from the hose / pipeline system.
3. Ensure that connectors and adaptors are fitted with gaskets rings and fasten them only hand tight.

Hose / pipe system

1. Install hoses / pipes in such a way that they do not exert any mechanical pressure on the product.
2. Secure hose / pipe in such a way as to prevent any oscillation, friction or weight impacting on the product.
3. Lay the hose / pipe in as short and straight as possible. Avoid an excessive number of bends.
4. Choose a reinforced delivery hose / pipe of the same or larger diameter as the outlet nozzle in order to reduce friction loss.

Installation

Follow below instructions depending on the required operation:

1. Fit a suitable gate valve (A) (e. g. water gun, water tap) to one end of the water hose (13) through the quick release connector (15).
2. Detach the nozzle adaptor (14) from the quick release connector (15) if it is already assembled before.
3. Align and screw the nozzle adaptor (14) clockwise onto the outlet nozzle (2).
4. Connect the other end of water hose (13) to the nozzle adaptor (14) through the quick release connector (15).
5. Ensure that all connections are properly tightened to avoid leakage or drawing air in. It is essential that all connections and hoses are completely airtight for the system to work.

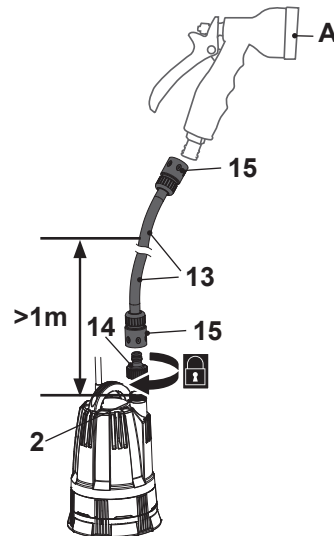


Fig. 1



NOTE: When the suction height is > 1 m, secure the suction water hose (13) additionally with suitable fixings.

Setup

- Fasten a rope to the carry handle (3) and submerge the product carefully into the water reservoir (Fig. 2).



NOTE: Ensure the water reservoir has minimum dimensions of 20 x 20 x 40 cm, so that the product can be fully submerged in the water.



NOTE: We recommend guiding the power cord by means of clamps (not supplied) alongside the fastening rope.

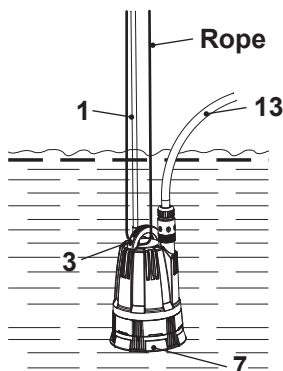


Fig. 2



NOTE: Make sure the base (7) can freely draw water and is free of mud and debris, when lowering the pump to the bottom of the water source.

Connection of power cord



WARNING! Do not insert the battery pack (12) to the battery compartment (11) before the appliance is completely assembled! Avoid to assembly the electrical part with wet hands.



- Align and insert the plug (8c) into the socket (8a) until the stop, ensure the spigot (8d) is fully engaged in the slot (8b) (Fig. 3, step 1).



NOTE: Ensure the seal ring (8f) is in right position without damage.

2. Push forward the lock sleeve (8e) to the cable connector (8) until the stop (Fig. 3, step 2).
3. Hold the cable connector (8) in position, then tighten the locking sleeve (8e) in anti-clockwise on the thread of cable connector (8) (Fig. 3, step 3).

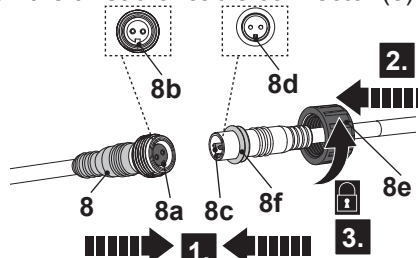


Fig. 3

Battery pack

Charging the battery pack

The battery pack (12) for this product has been shipped in a low charge condition. Charge it fully before first use.



WARNING! Always charge in a safe location away from moisture or heat sources!

1. Align and slide the battery pack (12) onto the sliding slots (16a) of the charger (16) until it locks in place (Fig. 4).

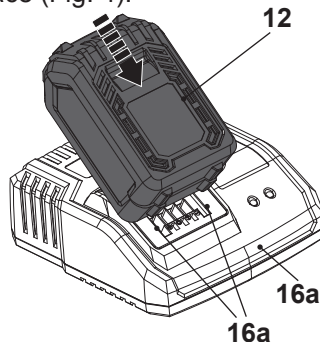


Fig. 4

Getting started...

Battery pack

2. Connect the charger (16) to the power supply.



WARNING! Check the voltage! The voltage must comply with the information on the rating label!

3. After charging finished (this normally takes 1 hour, see below "Power / charging status indicator" section for charging status), disconnect the charger (16) from power supply.
4. Press the release button (12a) and remove the battery pack (12) from the charger (16) (Fig. 5).

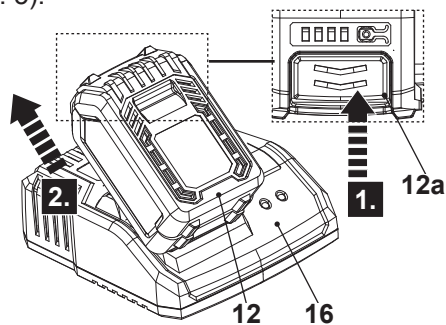


Fig. 5



NOTE: It is normal for the battery pack and charger to become warm (but not hot) during the charging process. Depending on temperature and existing charge level, the actual charging time may change.



WARNING! Always charge the battery before storage! It's important to disconnect the charger from the power supply after charging finished. Cool down battery pack from a just-operated product for approximately 30 minutes before attempting to recharge.

Power / charging status indicator

The indicators (16c, 16d) on the charger (16) show the charging status (Fig. 6).

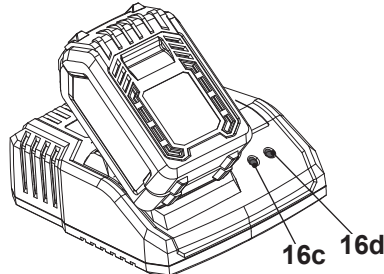


Fig. 6

Charging failure indicator (16c)	Charging status indicator (16d)	Status	Remark
Off		Charging	In charging.
Off		Fully charged	Disconnect charger from power supply and remove battery pack from charger.
	Off	Hot/Cold battery	The charger will recover to charge when the temperature drops to 40°C or raise to 5°C.
	Off	Defective	Battery pack or charger is defective.

Battery capacity indicators

The battery pack (12) is equipped with the battery capacity indicators (12d) which are used to give an indication of the battery pack's remaining capacity. Press the battery capacity button (12c) to check battery capacity (Fig. 7). The LEDs will stay lit for approximately 5 seconds.

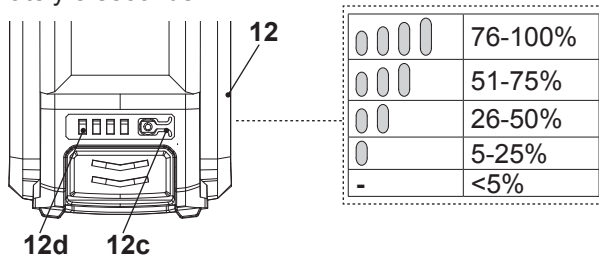


Fig. 7

Battery pack

Attaching the battery pack

1. Open the transparent cover (11d) of battery compartment (11) and hold it firmly in position (Fig. 8, step 1).
2. Align and slide the battery pack (12) into the battery compartment (11).
3. Push the battery pack (12) until the stop. Ensure that the locking latch (12b) passes the stopper (11c) and clicks in place (Fig. 8, step 2).
4. Close the transparent cover (11d) slowly to avoid squeezing the fingers, ensure the transparent cover (11d) is completely closed afterwards.

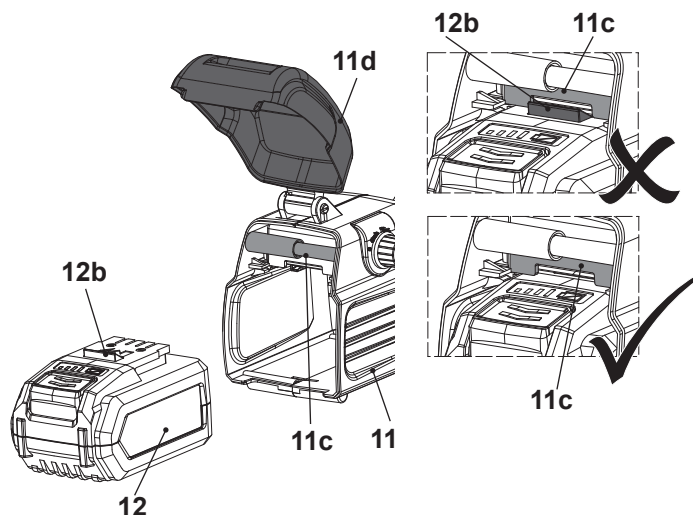


Fig. 8

Removing the battery pack

1. Open the transparent cover (11d) of battery compartment (11) and hold it firmly in position (Fig. 9, step 1).
2. Press down the release button (12a) and disengage the locking latch (12b) from the stopper (11c) (Fig. 9, step 2).



NOTE: Take firmly the battery pack (12) to avoid the ejecting force produced by the release spring (11b).

3. Pull out the battery pack (12) from the battery compartment (11) (Fig. 9, step 3).
4. Close the transparent cover (11d) slowly to avoid squeezing the fingers.

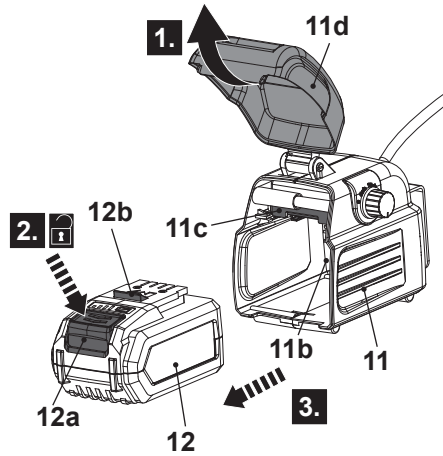


Fig. 9

Hook for battery compartment

1. Align and pass two eyelets (9a) of hook (9) to the spigots (11a) of battery compartment (11) (Fig. 10, step 1).
2. Secure the hook (9) in place by sliding the eyelets (9a) until the stop (Fig. 10, Step 2).
3. Hang the battery compartment (11) onto a sturdy frame (Fig. 10, step 3).
4. Secure battery compartment (11) to prevent it from slipping or falling over.



NOTE: The battery compartment (11) including battery pack was very heavy, secure them in a reliable way.

The battery compartment (11) should be hung in a position where there is no risk of water spillage.

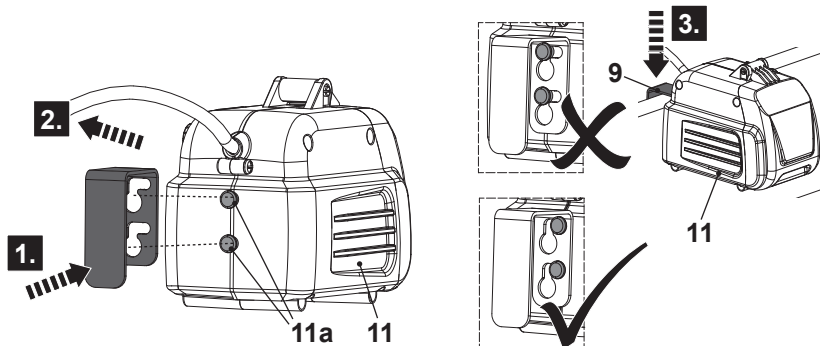


Fig. 10

In more detail...



Product functions	25
Operation	26
Care and maintenance	28
Troubleshooting	32
Recycling and disposal	33
EC declaration of conformity	34

Intended use

This clean water pump TTI853PMP is designated with a rated voltage of 18 V . With suitable accessories the product can be used for pumping out of water from water reservoirs such as ponds, butts or wells to water gardens, flower beds etc. or operate sprinklers. The product can be fully submerged (watertight encapsulation) and lowered to a water depth of 2 m.

The product may only be used to pumping fresh water, service water and clear collected rain water. The PH value of water shall be between 6.5 and 8.5. The maximum water temperature may not exceed 35 °C.

The product must not be used for the drinking water supply for the delivery of foodstuffs. The product is not suitable for pumping dirty water or other liquids.

For safety reasons it is essential to read the entire instruction manual before first operation and to observe all the instructions therein.

Automatic air bleed valve

The automatic air bleed valve releases any air pockets in the pump body. During this process, air escapes through the ventilation bore (4) on the pump and air bubbles appear underwater. It may take several seconds when the pump is immersed for the first time.

Electronic protection

The PCB of product is equipped with electronic protection. The PCB automatically switches the product off in the event of abnormal working condition, the power indicator (10a) will be turned red for indication in a duration time, then goes out.

Root cause	Activating time for electronic protection	Duration time for power indicator (10a)
Blockage	≤5s	20±2s
Dry running	10±2 s	10±2s

1. Switch the product off and remove the battery pack in case the electronic protection is activated.
2. Inspect the product for possible damage, wear or foreign objects e.g. that block the impeller.
3. Eliminate the cause prior to re-inserting the battery pack, re-starting the product by turning On/Off switch (10) to running mode (see "Troubleshooting").

Electronic protection



NOTE: Should the electronic protection continuously be activated even after following the steps under “Troubleshooting” do not continue to use the product. Have it checked and repaired by a qualified specialist.

General operation



WARNING! Never immerse the battery pack (12) and battery compartment (11) into the water to avoid permanent damage of them. Prevent the battery pack (12) and battery compartment (11) from the water spillage.

1. Check the water pump, its power cord, battery pack (12) and battery compartment (11) as well as accessories for damage before each use. Do not use the product if it is damaged or shows wear.



NOTE: The water pump must be fully immersed into the water. Otherwise the product cannot prime and the maximum constant flow will not be achieved. The product could be damaged!

2. Double check that the accessories are properly fixed.
3. Insert the charged battery pack (12) into the battery compartment (11).
4. Close the transparent cover (11d) of battery compartment (11), and ensure the transparent cover (11d) is completely closed before operating the pump.

On/Off switch

The On/Off switch (10) is combined with a timer function. Turn it to make the indicator line (10b) align with the required function marking (Fig. 11).

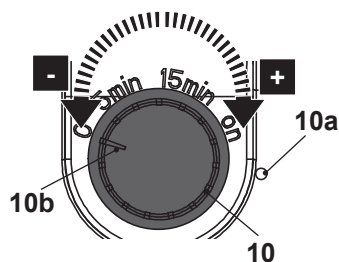


Fig. 11

The function for each marking is listed as below:

Marking	Description of function
0	Switch the product off.
5min	Short running mode, and the pump will run continuously for 5min, then goes in standby mode.
15min	Short running mode, and the pump will run continuously for 15min, then goes in standby mode.
On	Continuous running mode.



WARNING! If the battery pack is inserted when On/Off switch (10) is on the running mode, the pump will not run. The On/Off switch (10) should be activated, turn the On/Off switch (10) to "0" first, then turn to required running mode. Battery pack needs to be charged before. If the water pump stops running by the action of timer, or electronic protection works due to blockage or dry running. The On/Off switch (10) should be activated, turn the On/Off switch (10) to "0" first, then turn to required running mode. Battery pack needs to be charged before.



NOTE: The pump will be activated automatically every 24h under the timer setting of "5min" or "15min", the cycles will be repeated until the empty of battery pack. Power indicator (10a) will be turned green in running status.

Operation



NOTE: This product can be used to suck up water with a lower height (minimum 20 to 30cm).

1. Put the pump into water.
2. Assemble the battery pack (12) into the battery compartment (11).
3. Turn the On/Off switch (10) to the running mode
4. The pump will start running and the power indicator (10a) turns in green.



NOTE: If the water is not pumped after 20 seconds of starting. Wait until the pump is emptied. Immerse the whole pump in water. If the product does not pump after several attempts, the water level is too low to seal the system.

In more detail...

After use

1. Switch the product off and remove the battery pack and let it cool down.
2. Check, clean and store the product as described below.

The golden rules for care



WARNING! Always disconnect the product from the power supply and let it cool down before performing inspection, maintenance and cleaning work!

1. Keep the product clean. Remove debris from it after each use and before storage.
2. Regular and proper cleaning will help ensure safe use and prolong the life of the product.
3. Inspect the product before each use for worn and damaged parts. Do not operate it if you find broken and worn parts.



WARNING! Only perform repairs and maintenance work according to these instructions! All further works must be performed by a qualified specialist!

General Cleaning

1. Clean the product with a damp cloth and pH-neutral soap. Use a brush for areas that are hard to reach.
2. Remove stubborn dust with high pressure air (max. 3 bar).
3. Check for worn or damaged parts. Replace worn parts as necessary or contact an authorised service centre for repair before using the product again.



NOTE: Do not use chemical, alkaline, abrasive or other aggressive detergents or disinfectants to clean this product as they might be harmful to its surfaces.

4. Regularly check for obvious defects such as loose, dislodged or damaged hoses, loose fixings and worn or damaged components.

Filter plate

Dismantle the filter plate (6a) and clean it regularly (Fig. 12).

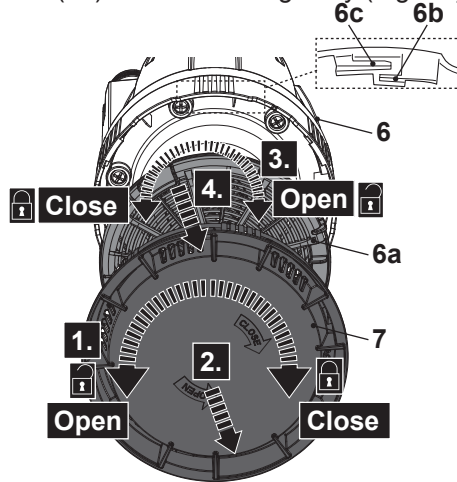


Fig. 12

1. Turn the base (7) anti-clockwise to “Open” position and remove it.
2. Turn the filter plate (6a) clockwise to “Open” position and remove the filter plate (6a) from the pump housing (6).
3. Clean the filter plate (6a) and the base (7) with clean water.
4. Assemble the filter plate (6a) and the base (7) in a reverse order to “Close” position.
5. Ensure that the filter plate (6a) is stayed in the track of three inner slots (6b), and the base (7) is stayed in the track of three outer slots (6c).

Spare parts/Replacement parts

The following parts of this product may be replaced by the consumer. Spare parts are available at an authorised dealer or through our customer service.

Description	Model no. or Specification
Battery compartment (11)	157×94×128
Battery pack (12)	MBAT18-4
Water hose (13)	G1/2
Nozzle adaptor (14)	G3/4
Quick release connector (15)	G1/2
Charger (16)	MFC18

In more detail...

UK plug (only for UK market)

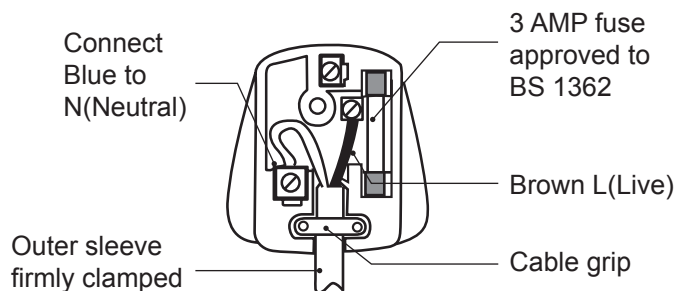
If you need to replace the fitted plug, then follow the instructions below.

IMPORTANT: The wires in the mains lead are coloured in accordance with the following code:

Blue – Neutral

Brown – Live

As the colours of the wire in the mains lead of this product may not correspond with the coloured marking identifying the terminals in your plug, proceed as follows. The wire, which is coloured blue, must be connected to the terminal, which is marked with N or coloured black. The wire, which is coloured brown, must be connected to the terminal, which is marked L or coloured red.



WARNING! Never connect live or neutral wires to the earth terminal of the plug, which is marked with E.

Only fit an approved 13 Amp BS 1363 or BS 1363/A plug and the correctly rated fuse.

If in doubt, consult a qualified electrician.



NOTE: If a moulded plug is fitted and has to be removed take great care in disposing of the plug and severed cable, it must be destroyed to prevent engaging into a socket.

Maintenance

Before and after each use, check the product and accessories for wear and damage. If required, exchange them for new ones as described in this instruction manual. Observe the technical requirements.

Power cord

If the power cord (1) or cable connector (8) is damaged, it must be replaced by the manufacturer, its service agent or similarly qualified persons in order to avoid a hazard.



WARNING! Do not use the product with a defective or a loose power cord!

Repair

This product does not contain any parts that can be repaired by the consumer. Contact an authorised service centre or a similarly qualified person to have it checked and repaired.

Storage

1. Switch the product off and remove the battery pack.
2. Open all valves to release remaining water from the hose / pipe system.
3. Disconnect the product from the hose / pipe system.
4. Clean the product as described above.
5. Store the product and its accessories in a dark, dry, frost-free, well-ventilated place.
6. Always store the product in a place that is inaccessible to children. The ideal storage temperature is between 10 °C and 30 °C.
7. We recommend using the original package for storage or covering the product with a suitable cloth or enclosure to protect it against dust.

In more detail...

Transportation

1. Switch the product off and remove the battery pack.
2. Always carry the product by its carry handle (3).
3. Protect the product from any heavy impact or strong vibrations which may occur during transportation in vehicles.
4. Secure the product to prevent it from slipping or falling over.

Troubleshooting

Suspected malfunctions are often due to causes that the users can fix themselves. Therefore check the product using this section. In most cases the problem can be solved quickly.



WARNING! Only perform the steps described within these instructions! All further inspection, maintenance and repair work must be performed by an authorised service centre or a similarly qualified specialist if you cannot solve the problem yourself!

Problem	Possible cause	Solution
1. Product does not start	1.1. Battery pack not properly attached 1.2. Battery pack discharged 1.3. Battery pack damaged 1.4. On/Off switch (10) is not activated 1.5. Other electrical defect to the product	1.1. Attach properly 1.2. Remove and charge battery pack 1.3. Check by a specialist electrician 1.4. Turn On/Off switch (10) to "0" first, then turn to required running mode 1.5. Check by a specialist electrician
2. Insufficient flow / no flow	2.1. Battery pack capacity too low 2.2. Reduced pumping capacity by water 2.3. Hose / pipe is blocked 2.4. Hose / pipe system is damaged	2.1. Charge battery pack 2.2. Clean product or have worn-out parts replaced 2.3. Unblock hose / pipe 2.4. Replace it

Problem	Possible cause	Solution
3. Product switches off after short operating period	3.1. Electronic protection of PCB cuts of power due to abnormal condition 3.2. Filter plate (6a) is caught by foreign object	3.1. Re-install the battery pack, then re-activate the On/Off switch (10). 3.2. Remove blockage

Recycling and disposal



Waste electrical products should not be disposed of with household waste. Please recycle where facilities exist. Check with your Local Authority or local store for recycling advice.

For further information visit www.recycle-more.co.uk.

The product comes in a package that protects it against damage during shipping. Keep the package until you are sure that all parts have been delivered and the product is working properly. Recycle the package afterwards.

Disposal of an exhausted battery pack



The battery is Li-Ion type. To preserve natural resources, please recycle or dispose of the battery pack properly. Consult your local waste authority for information regarding available recycling and / or disposal options.

Discharge your battery pack by operating your tool, then remove the battery pack from the tool and cover the battery pack connections with heavy duty adhesive tape to prevent short circuit and energy discharge.

Do not attempt to open or remove any of the components.

In more detail...



Manufacturer • Fabricant • Producent • Producător • Fabricante:

UK manufacturer:

Kingfisher International Products Limited
3 Sheldon Square London W2 6PX
United Kingdom
www.kingfisher.com/products

EU manufacturer:

Kingfisher International Products B.V.
Rapenburgerstraat 175E
1011 VM Amsterdam
The Netherlands

www.diy.com | www.screwfix.com | www.screwfix.ie
To view instruction manuals online,
visit www.kingfisher.com/products